

A & R CAMBRIDGE
T21 STEREO FM TUNER
CIRCUIT DIAGRAM SHEET 1

FRONT END AND I.F.
STAGES
 SERIAL NUMBERS 0001-4899
 ISSUE 2 AUGUST 1982

A.F.C. LINE
 TO SHEET 2

A & R CAMBRIDGE

T21 STEREO FM TUNER

CIRCUIT DIAGRAM SHEET 2

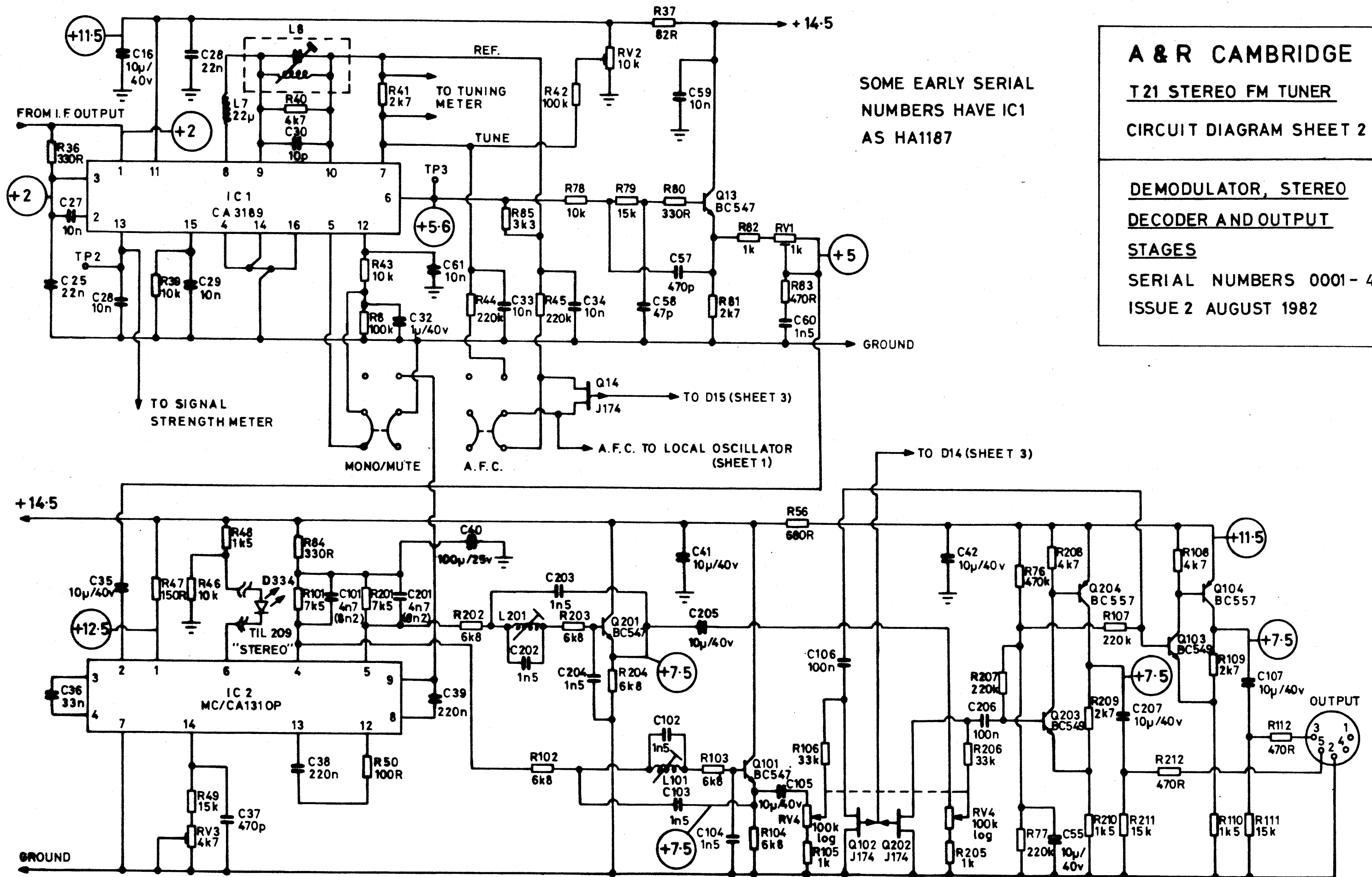
DEMODULATOR, STEREO

DECODER AND OUTPUT

STAGES

SERIAL NUMBERS 0001 - 4899

ISSUE 2 AUGUST 1982



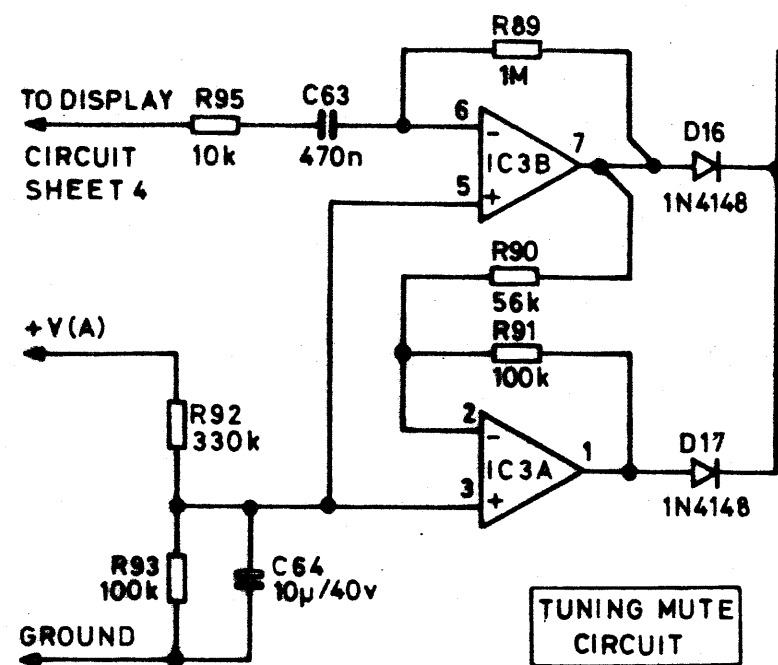
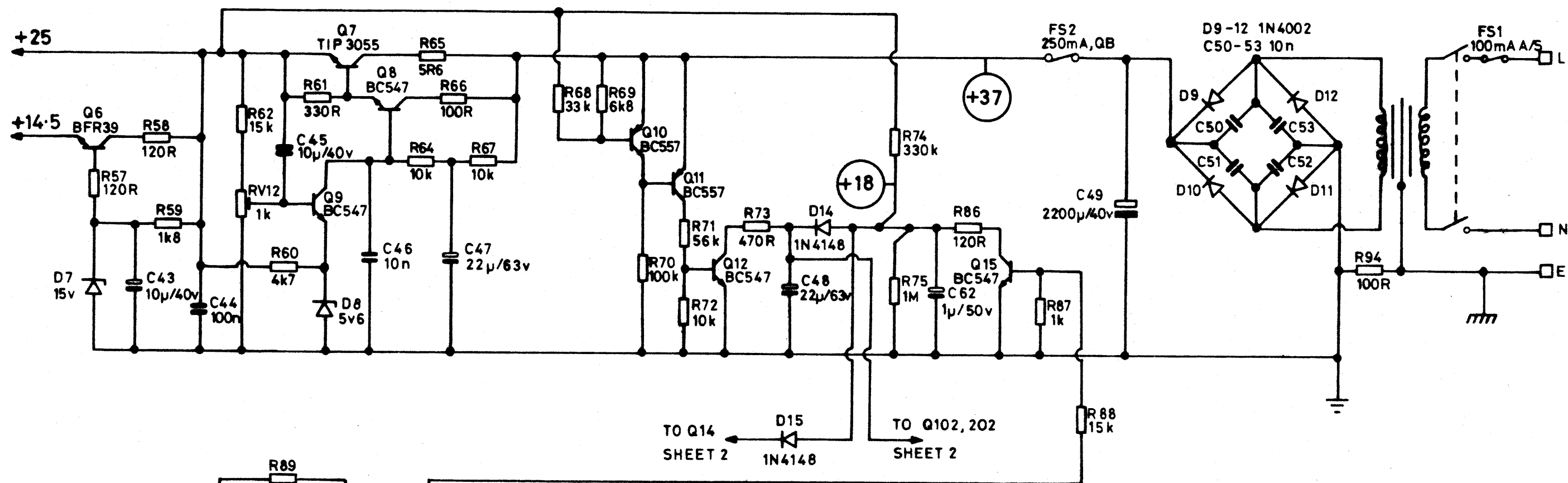
SOME EARLY SERIAL
NUMBERS HAVE IC1
AS HA1187

TO SIGNAL
STRENGTH METER

TO D15 (SHEET 3)
A.F.C. TO LOCAL OSCILLATOR
(SHEET 1)

TO D14 (SHEET 3)

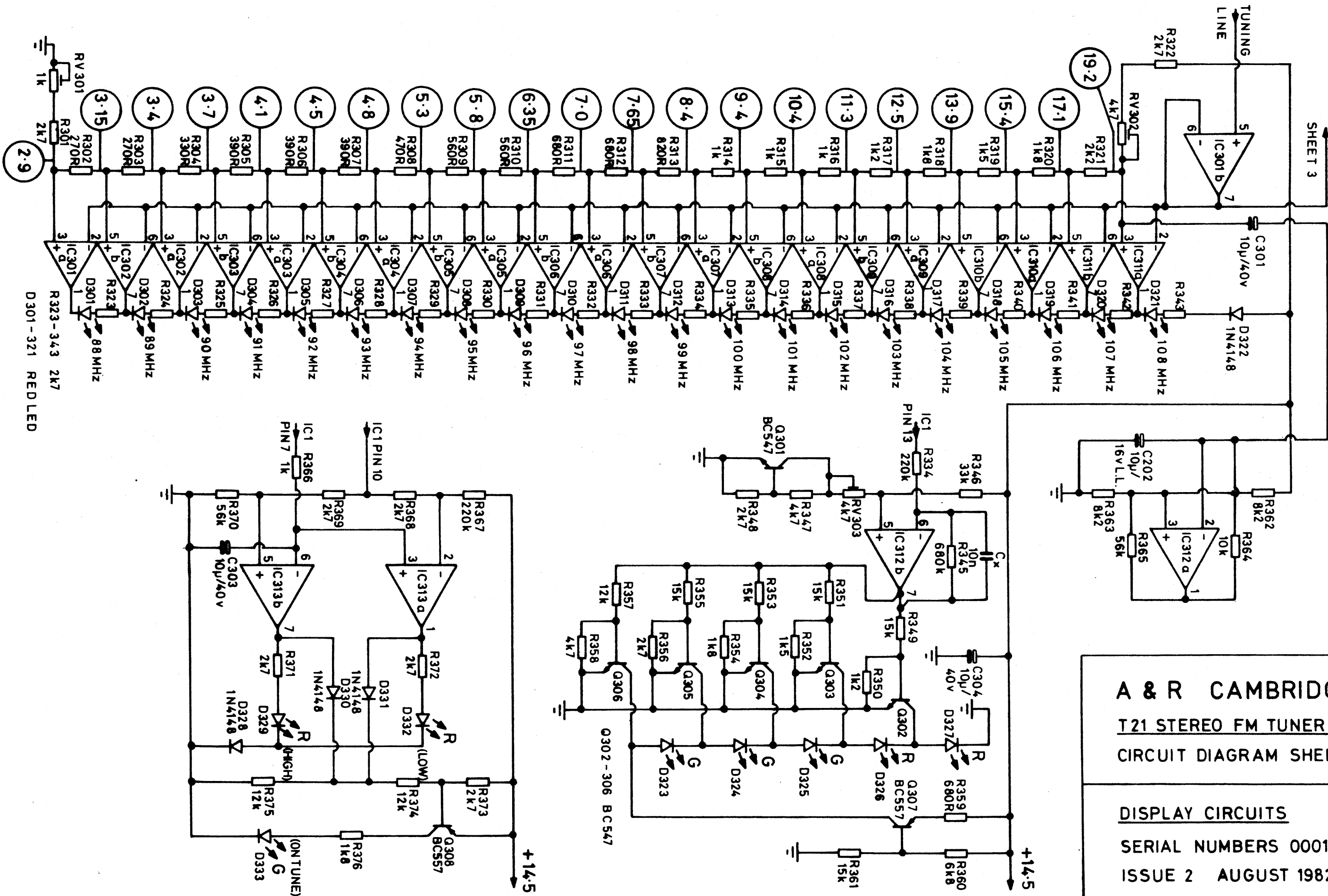
OUTPUT



A & R CAMBRIDGE
 T21 STEREO FM TUNER
 CIRCUIT DIAGRAM SHEET 3

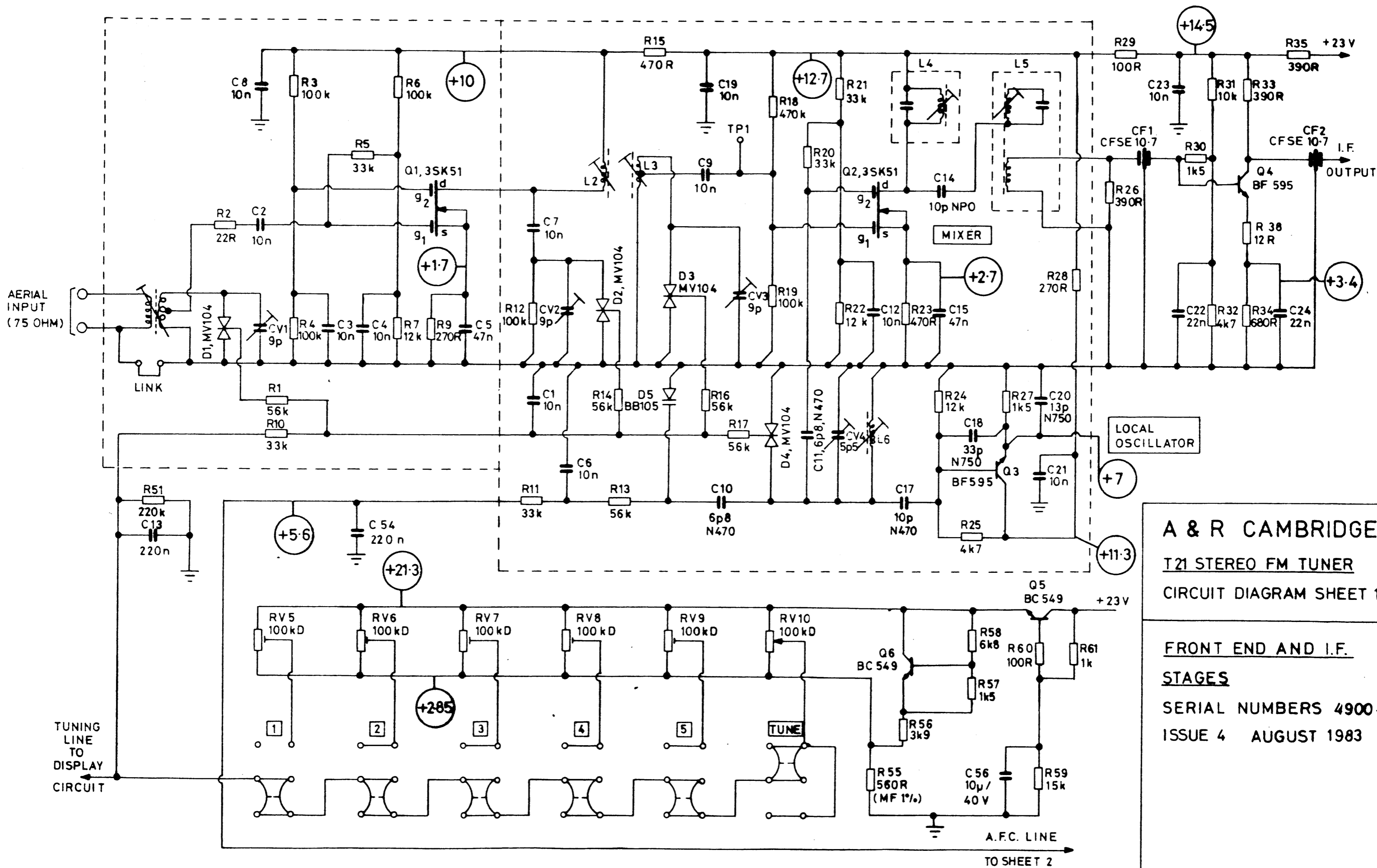
POWER SUPPLIES AND
TUNING MUTE CIRCUIT

SERIAL NUMBERS 0001 - 4899
 ISSUE 2 AUGUST 1982



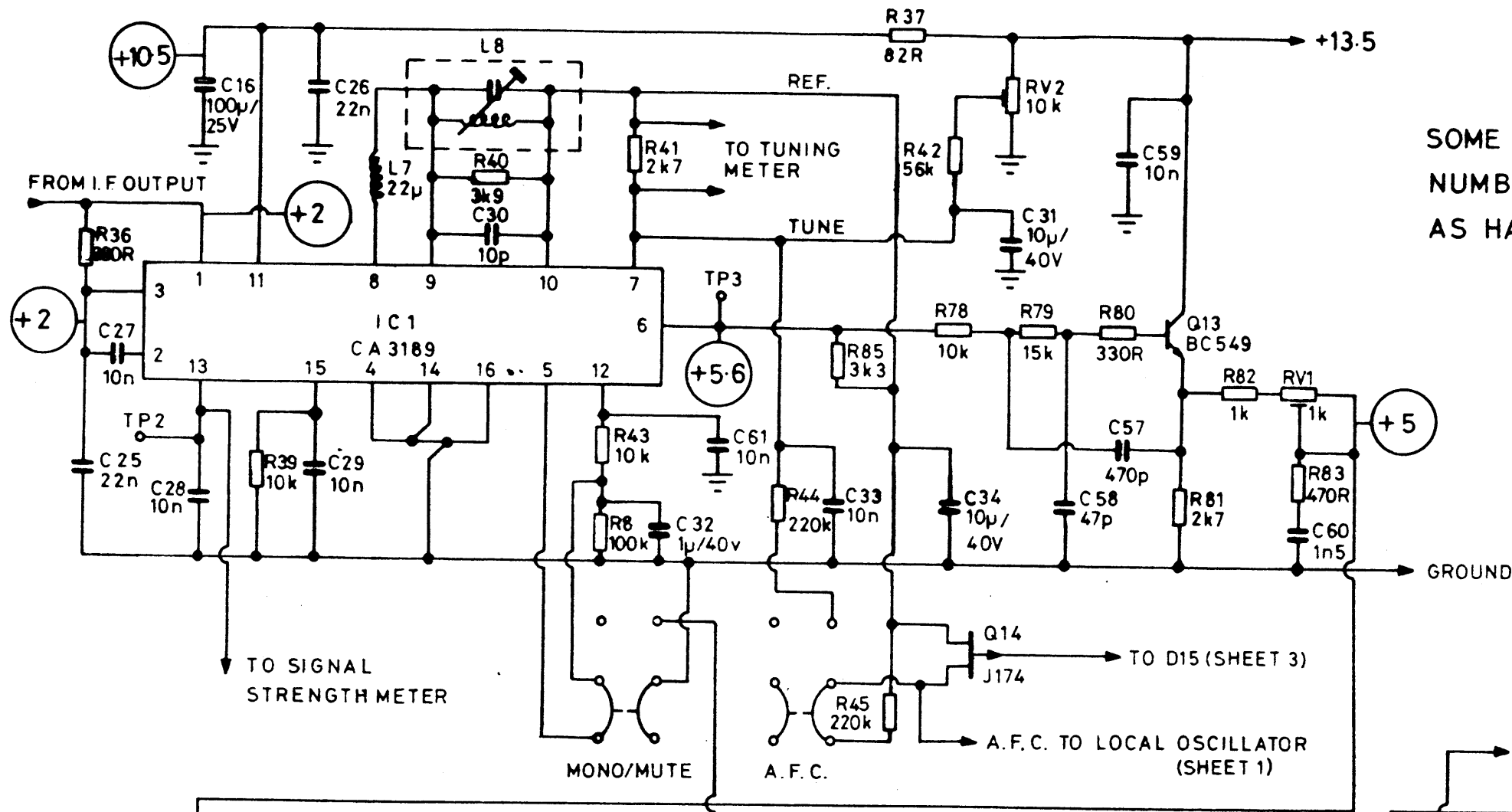
A & R CAMBRIDGE
 T21 STEREO FM TUNER
 CIRCUIT DIAGRAM SHEET 4

DISPLAY CIRCUITS
 SERIAL NUMBERS 0001 - 4899
 ISSUE 2 AUGUST 1982



A & R CAMBRIDGE
T21 STEREO FM TUNER
CIRCUIT DIAGRAM SHEET 1

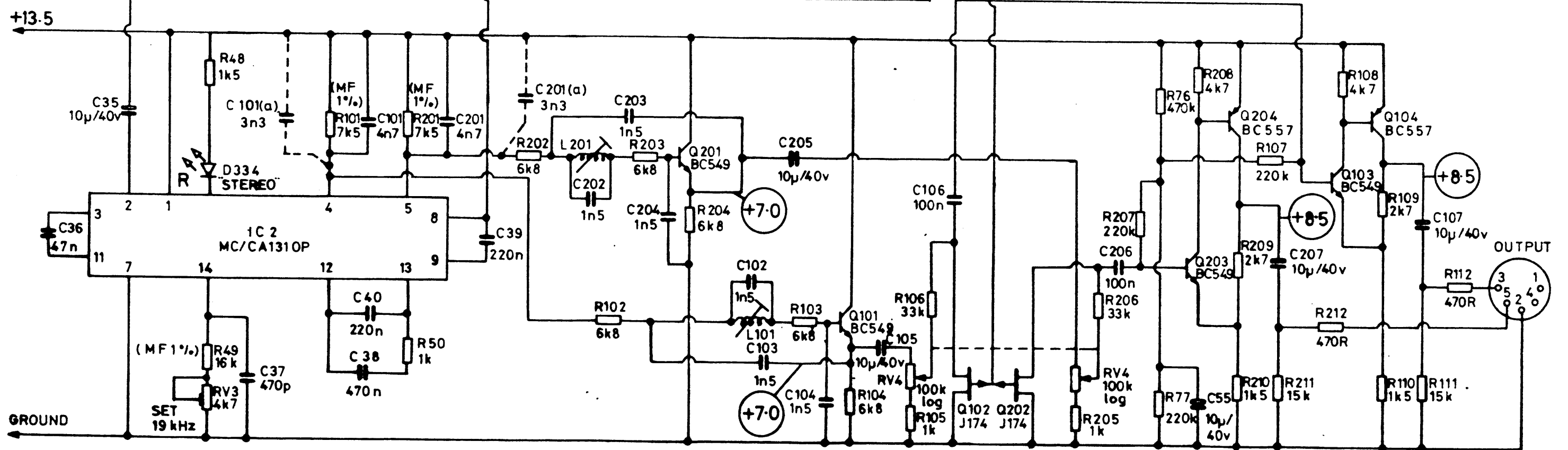
FRONT END AND I.F.
STAGES
 SERIAL NUMBERS 4900-
 ISSUE 4 AUGUST 1983

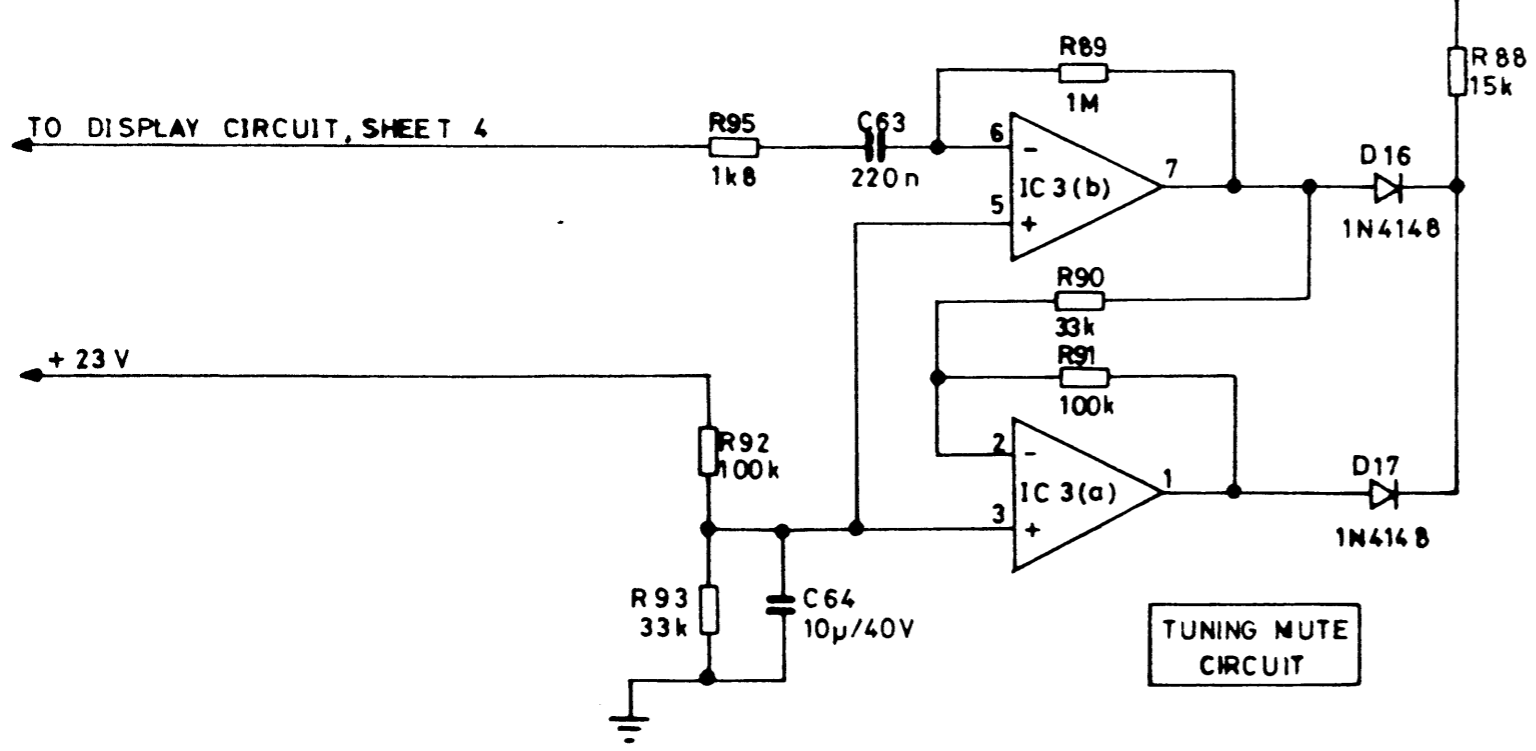
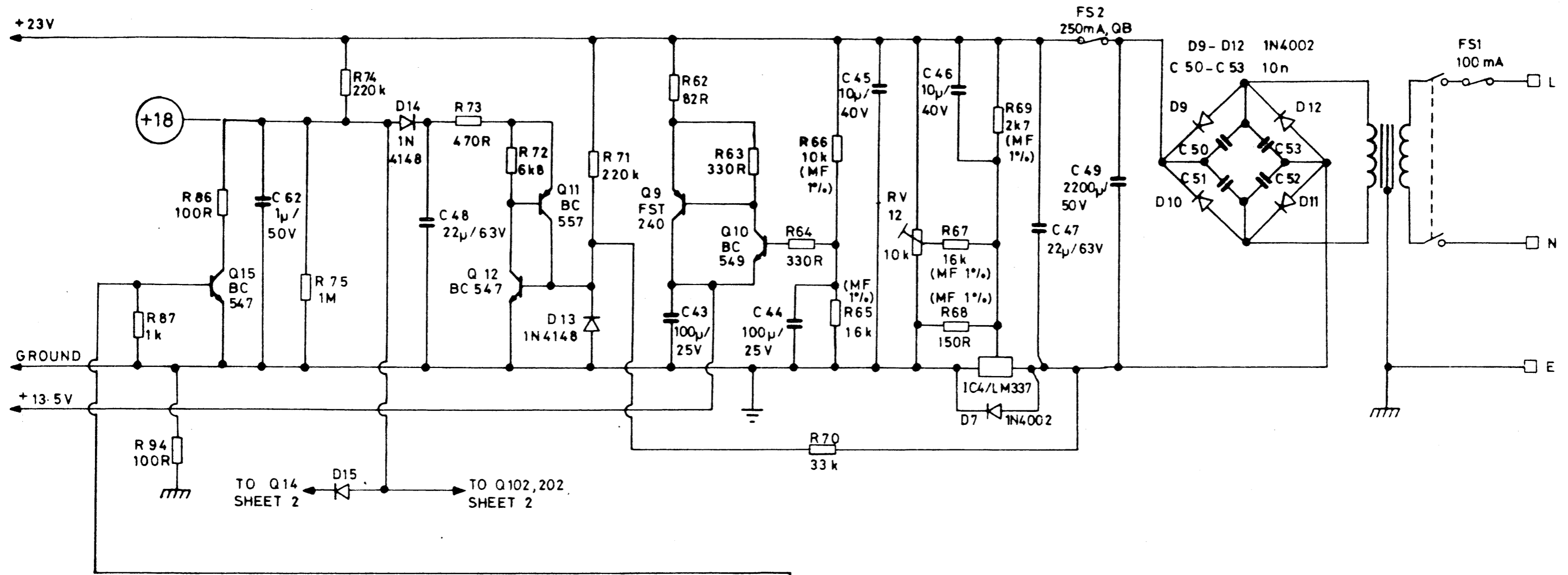


SOME EARLY SERIAL
 NUMBERS HAVE IC1
 AS HA1187

A & R CAMBRIDGE
T21 STEREO FM TUNER
CIRCUIT DIAGRAM SHEET 2

DEMODULATOR, STEREO
DECODER AND OUTPUT
STAGES
 SERIAL NUMBERS 4900 -
 ISSUE 4 AUGUST 1983



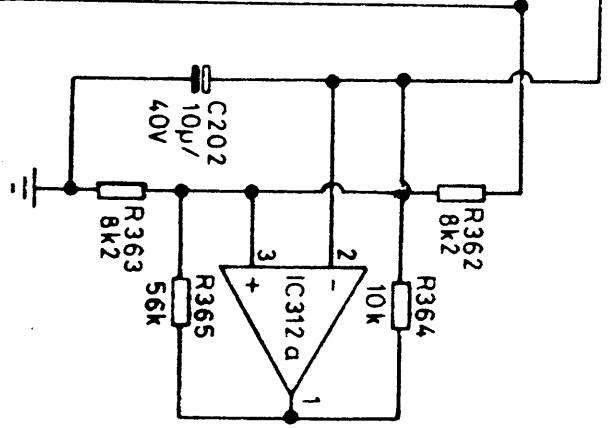
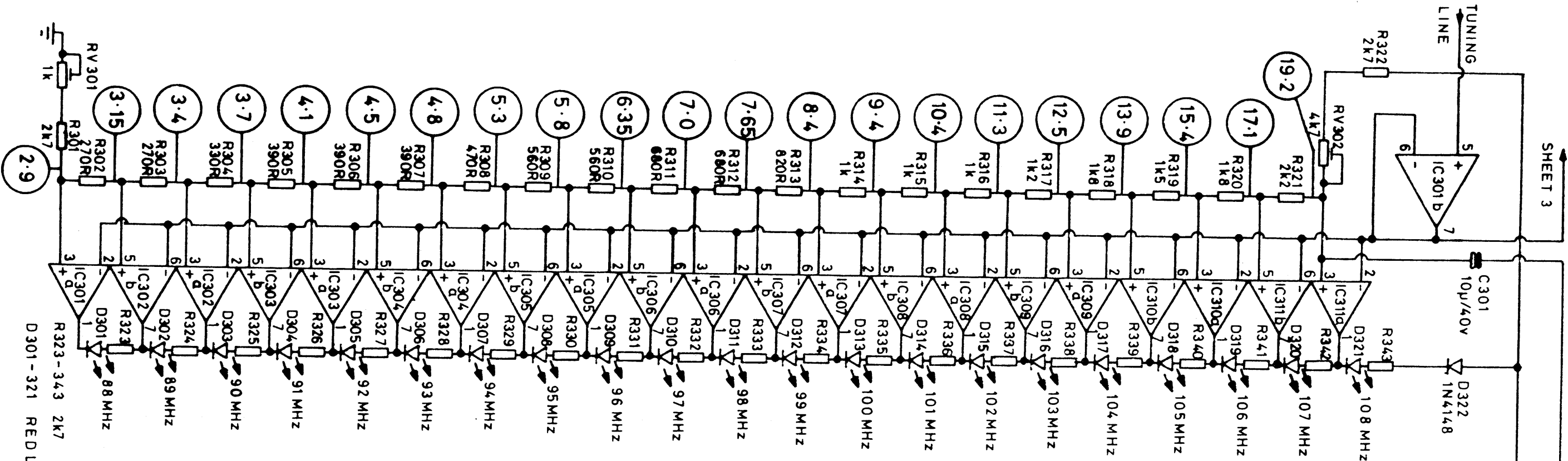


A & R CAMBRIDGE
 T21 STEREO FM TUNER
 CIRCUIT DIAGRAM SHEET 3

POWER SUPPLIES AND
 TUNING MUTE CIRCUIT
 SERIAL NUMBERS 4900 -
 ISSUE 3 AUGUST 1983

TO TUNING MUTE CIRCUIT

SHEET 3



A & R CAMBRIDGE
 T21 STEREO FM TUNER
 CIRCUIT DIAGRAM SHEET 4

DISPLAY CIRCUITS
 SERIAL NUMBERS 4900 -
 ISSUE 4 AUGUST 1983

