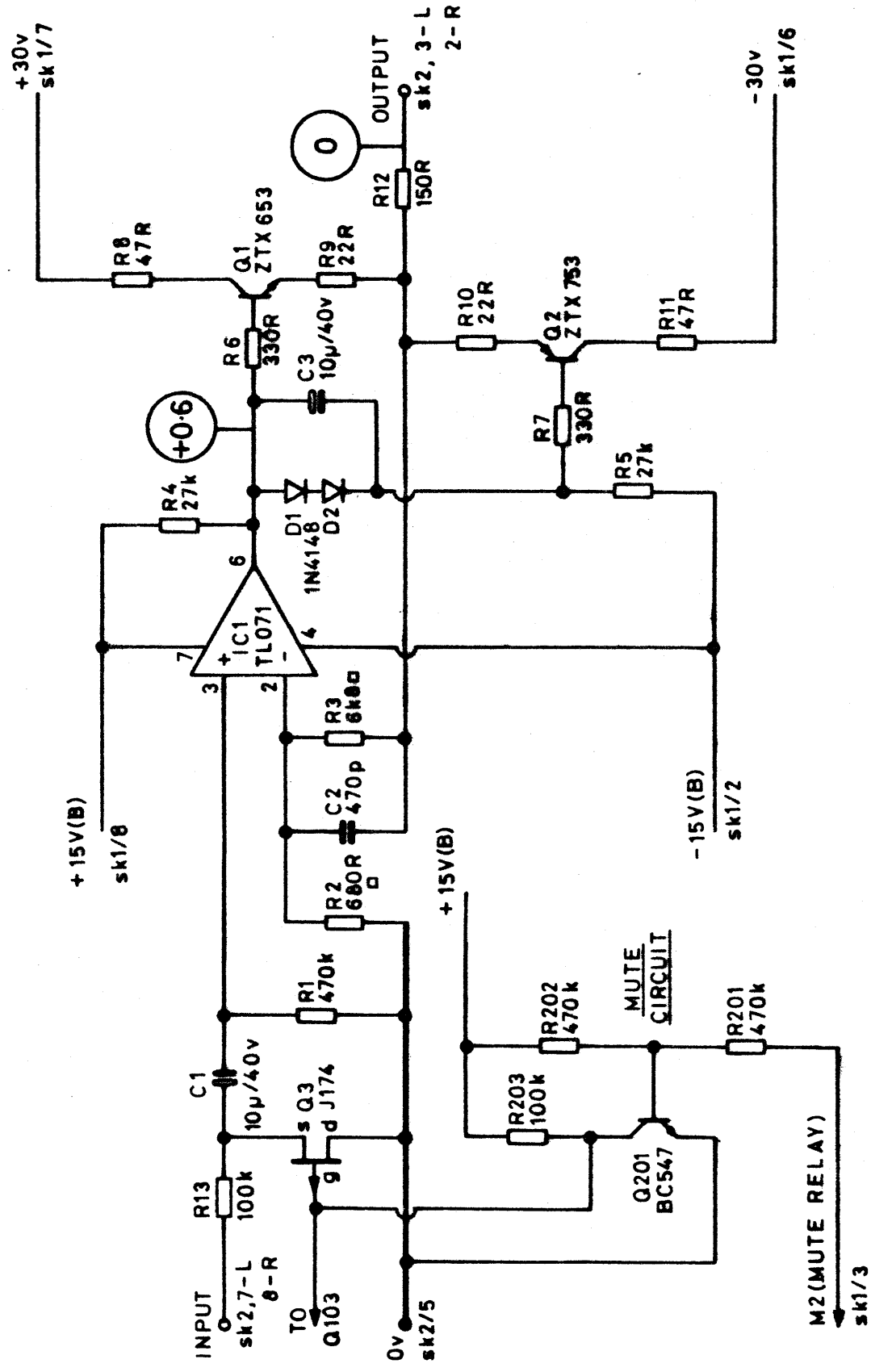


**A & R CAMBRIDGE LTD**  
**C200 CONTROL UNIT**  
**C200/MA1 CIRCUIT DIAGRAM**  
**MOTHER BOARD**

□ 1% tolerance components  
 Left hand channel only shown  
 unless otherwise stated. For  
 right hand channel component  
 reference numbers add 100.

Issue 2 July 1983  
 serial numbers 658 -

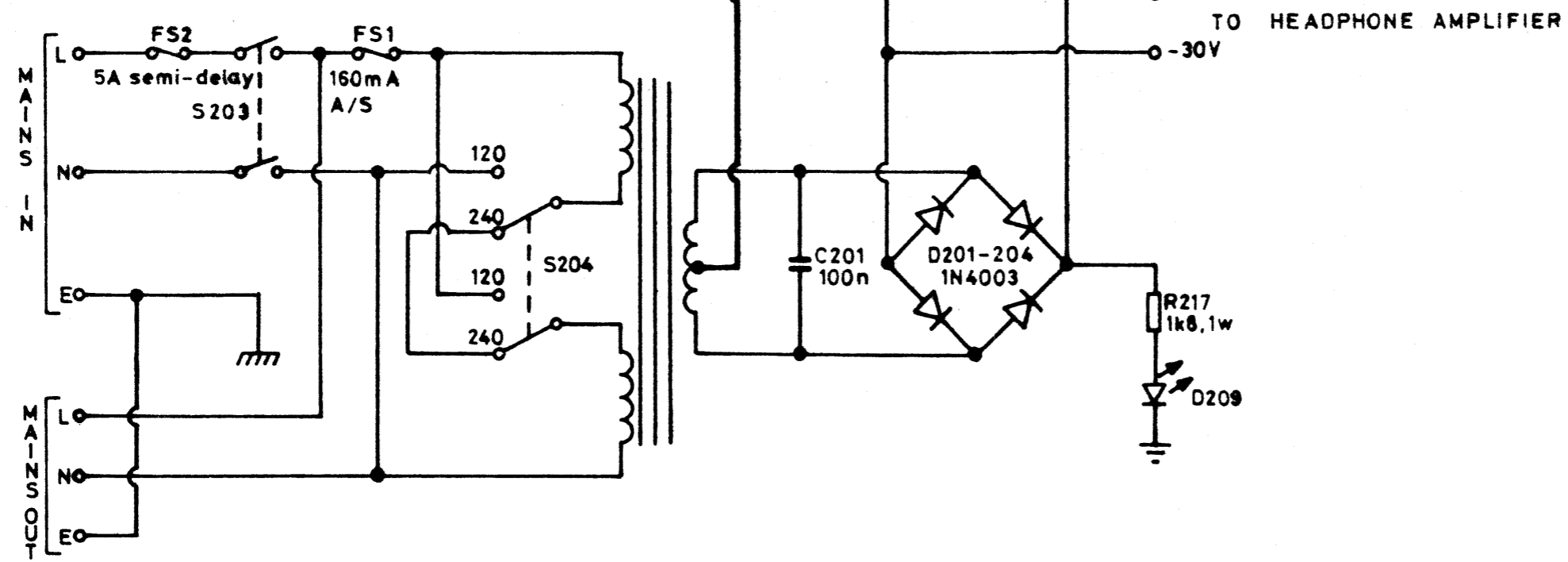
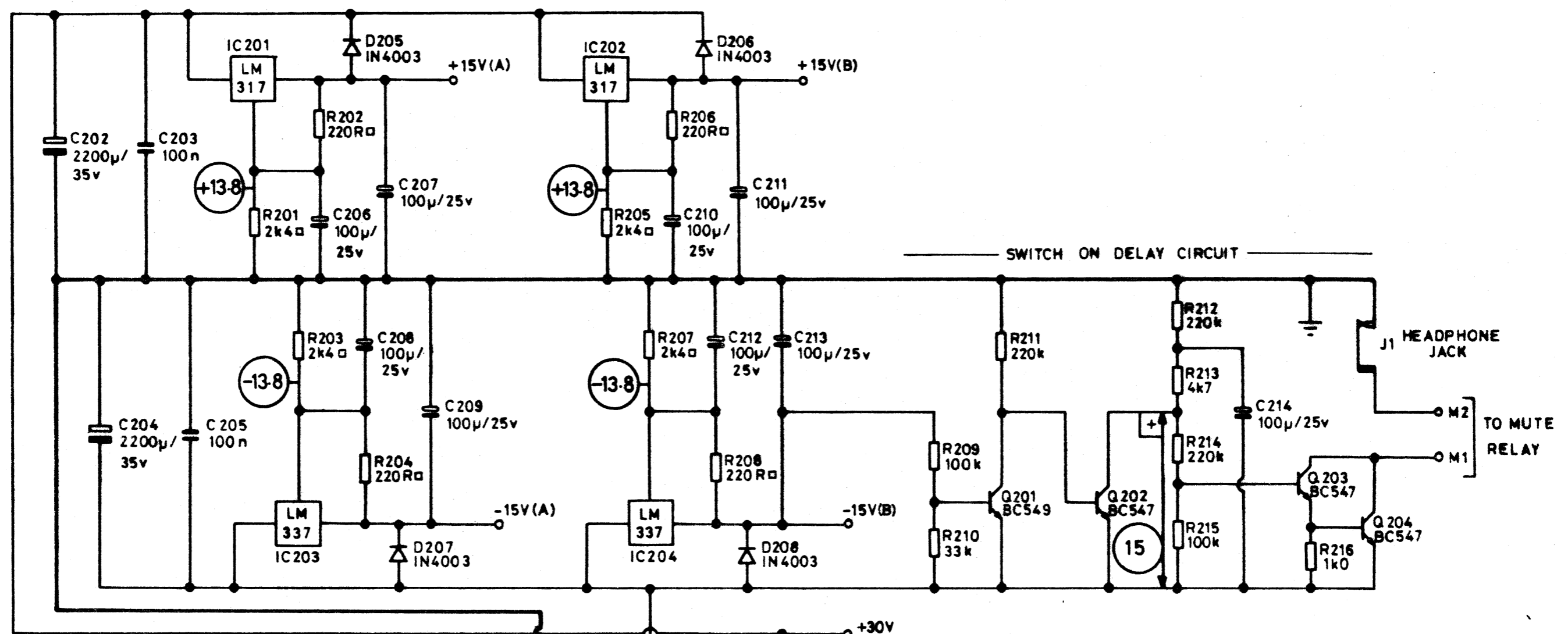


# A & R CAMBRIDGE

## C200 CONTROL UNIT

### C200/HP1 CIRCUIT DIAGRAM HEADPHONE DRIVE AMPLIFIER

□ 1% tolerance components  
Left hand channel only shown  
unless otherwise stated.  
For right hand channel  
component reference  
numbers add 100.



### A & R CAMBRIDGE

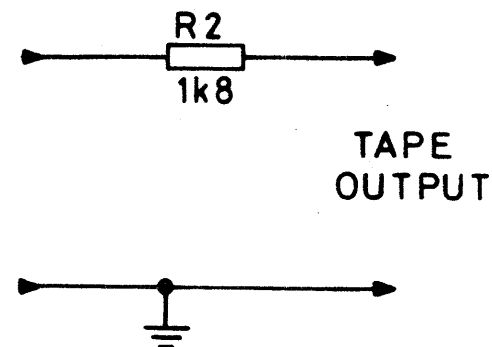
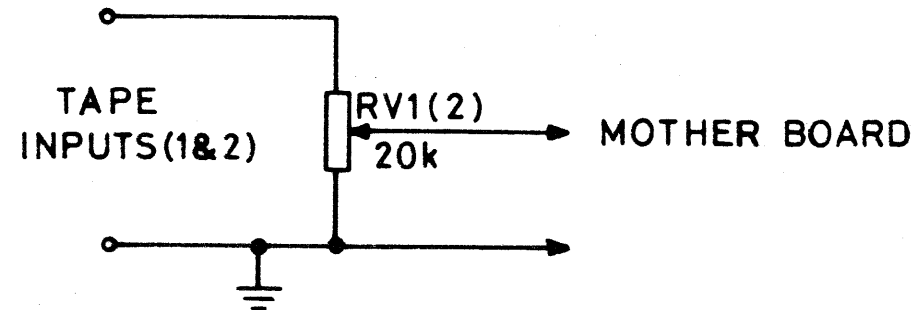
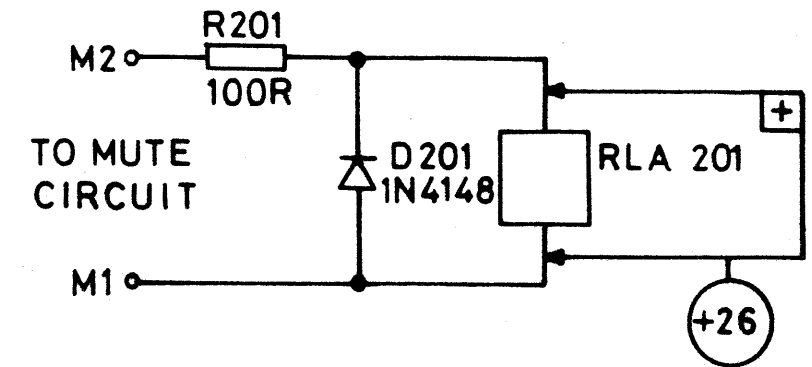
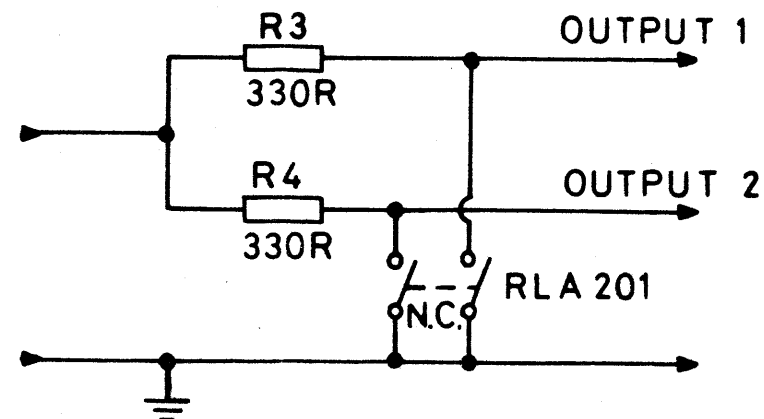
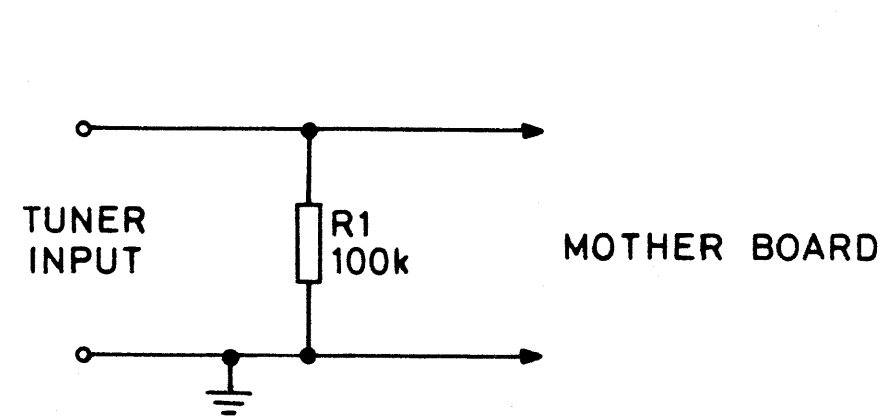
#### C200 CONTROL UNIT

#### C200/MA1/SM1 CIRCUIT DIAGRAM

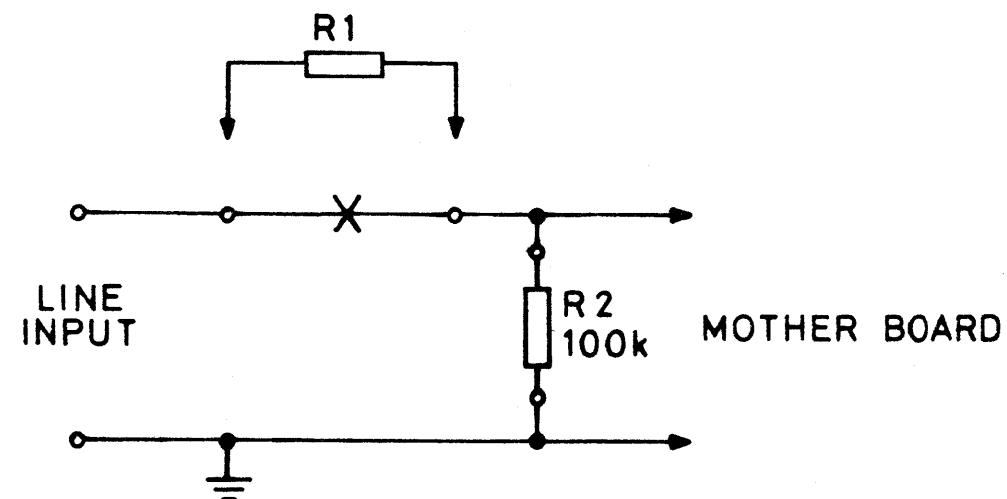
#### POWER SUPPLIES

FS1, FS2 and S204 mounted on SM1 all other components on MA1.

□ 1% tolerance components



OUTPUT CARD



LINE INPUT CARD

NOMINAL SENSITIVITY 100mV  
 If other sensitivities are required  
 break track at point marked 'X'  
 and use values shown below:  
 300mV R1 - 15k, R2 - 10k  
 1V R1 - 18k, R2 - 2k2  
 3V R1 - 22k, R2 - 820R

A & R CAMBRIDGE LTD

C200 CONTROL UNIT

C200/OP1 CIRCUIT DIAGRAM

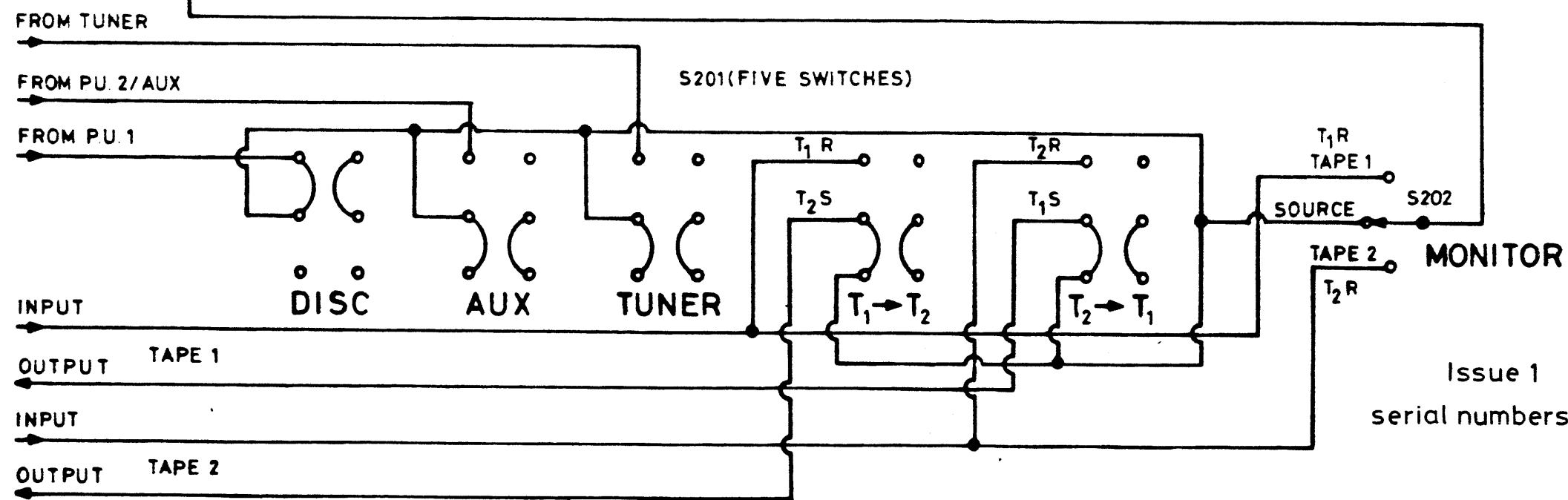
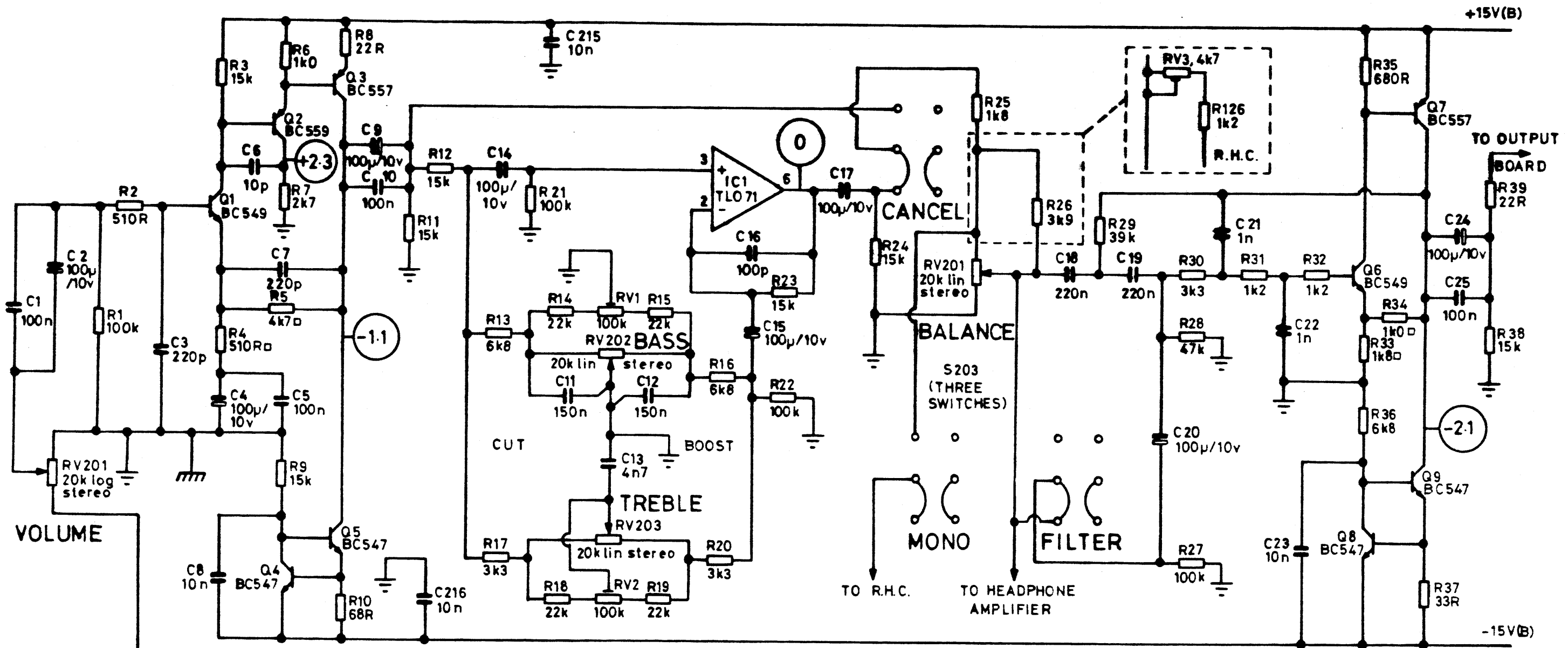
OUTPUT MODULE

C200/L1

LINE INPUT MODULE

Left hand channel only shown  
 unless otherwise stated. For  
 right hand channel component  
 reference numbers add 100.

September 1982 A.C.H.

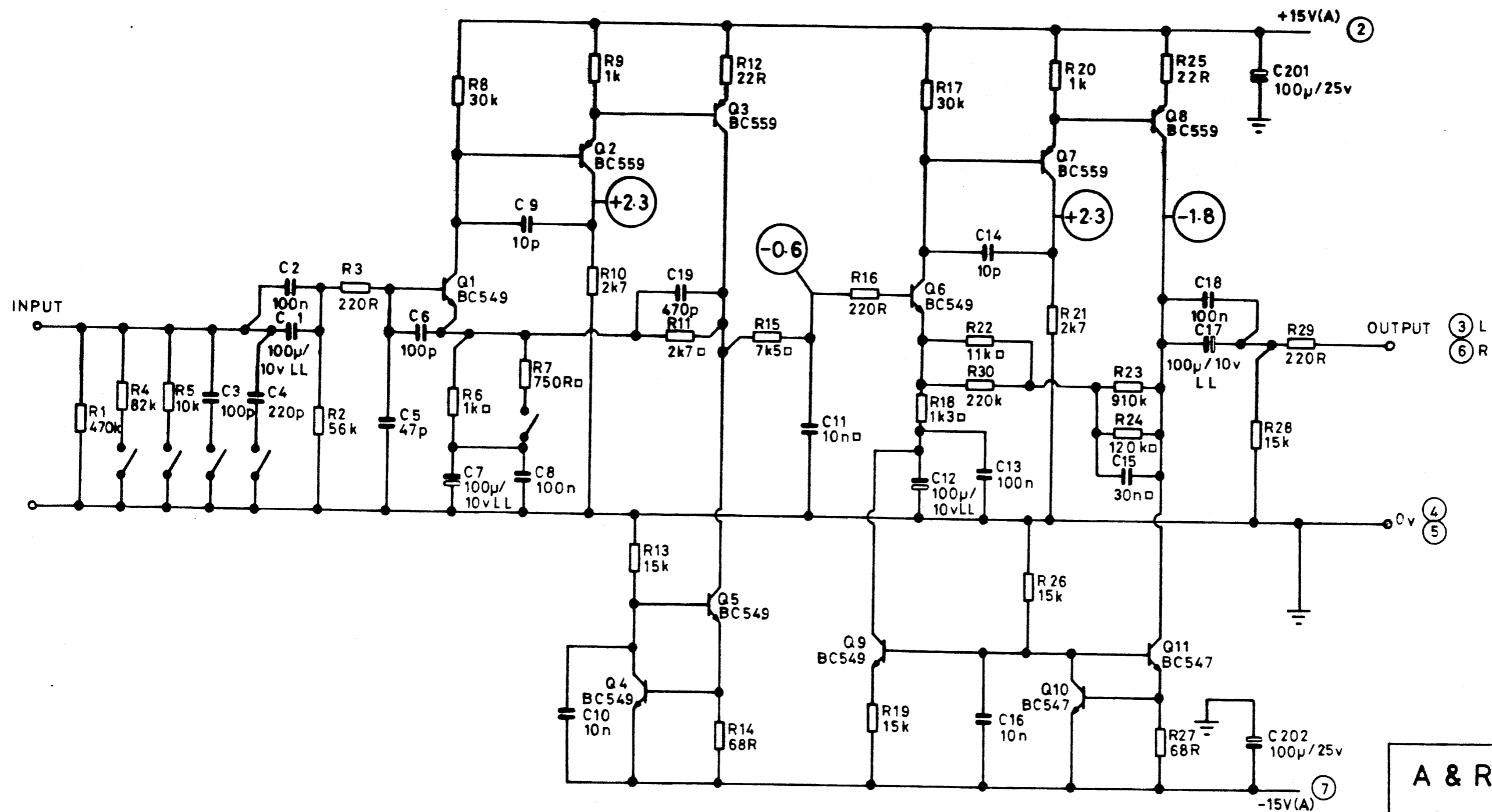


Issue 1  
 serial numbers 0001-657

**A & R CAMBRIDGE LTD**  
**C200 CONTROL UNIT**  
**C200/MA1 CIRCUIT DIAGRAM**  
**MOTHER BOARD**

□ 1% tolerance components  
 Left hand channel only shown  
 unless otherwise stated. For  
 right hand channel component  
 reference numbers add 100.

September 1982 A.C.H.



Issue 1  
 serial numbers 0001-605  
 excluding some of the  
 later numbers

**A & R CAMBRIDGE LTD**

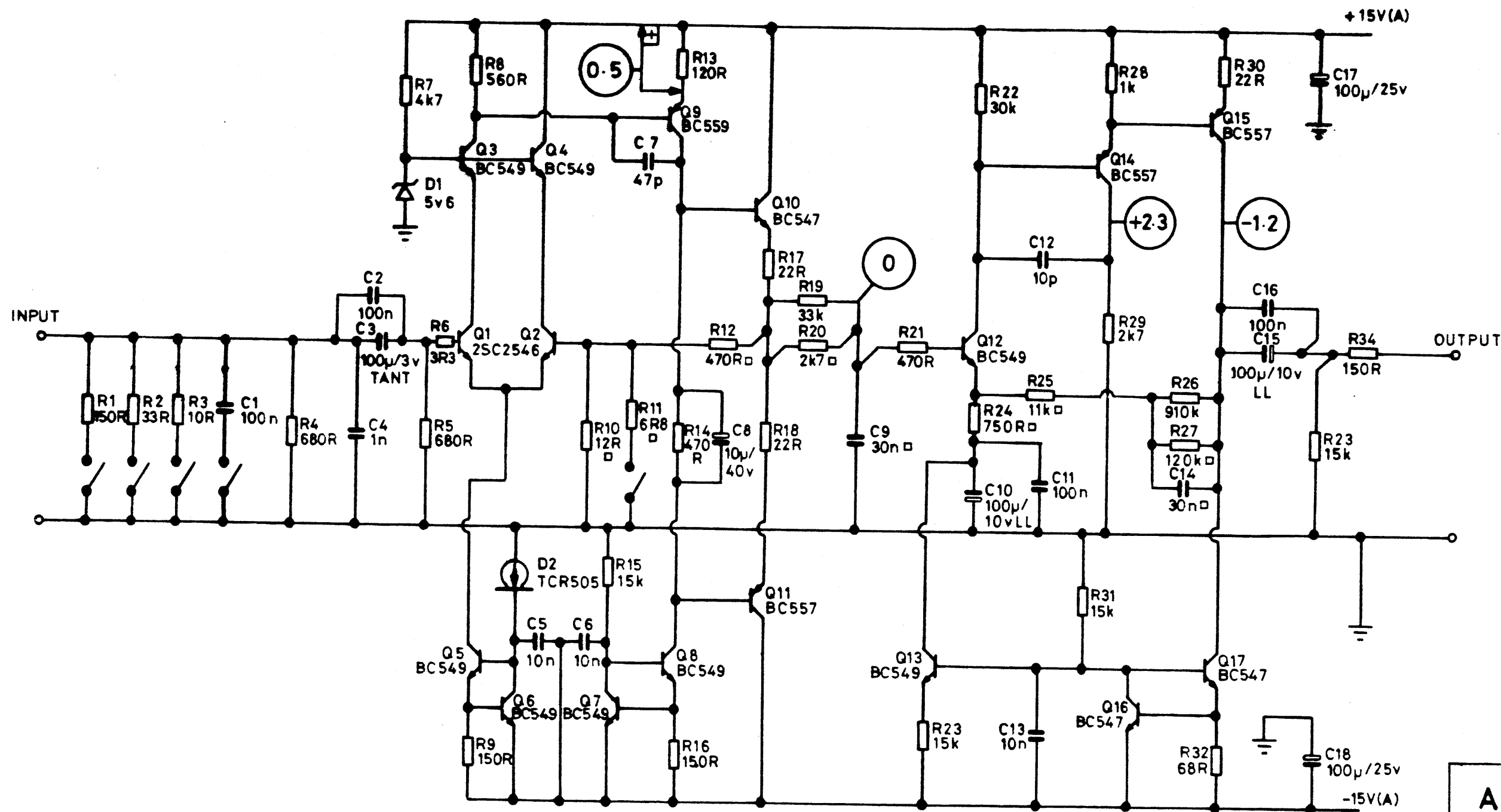
**C200 CONTROL UNIT**

**C200/MM1 CIRCUIT DIAGRAM  
 MOVING MAGNET CARTRIDGE  
 PREAMPLIFIER**

□ 1% tolerance components

Left hand channel only shown  
 unless otherwise stated. For  
 right hand channel component  
 reference numbers add 100.

September 1982 A.C.H.



A & R CAMBRIDGE

C200 CONTROL UNIT

C200/MC1 CIRCUIT DIAGRAM

MOVING COIL CARTRIDGE

PREAMPLIFIER

□ 1% tolerance components

Left hand channel only shown

unless otherwise stated. For

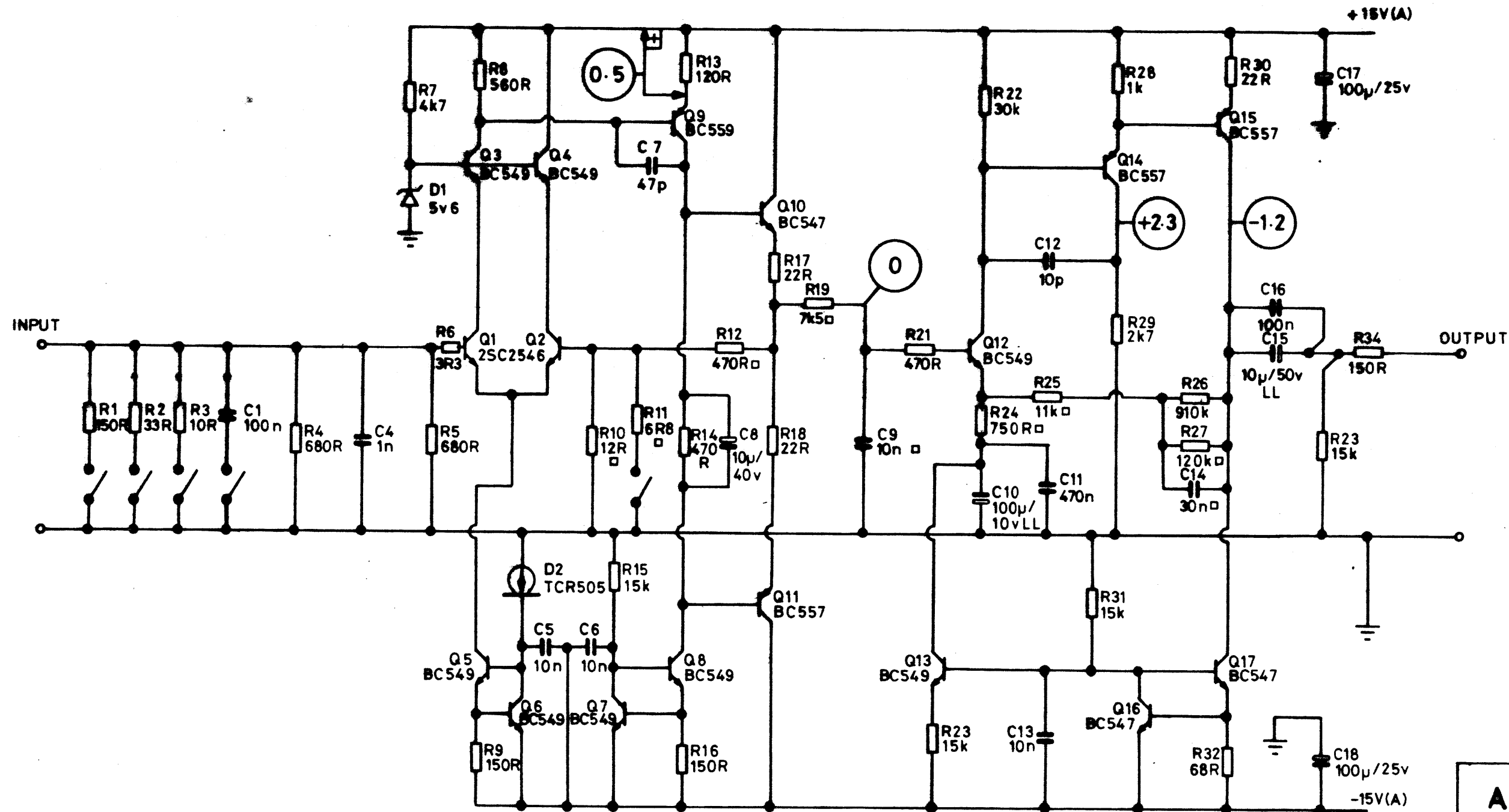
right hand channel component

reference numbers add 100.

September 1982

A.C.H.

Issue 2 June 1983  
 serial numbers 0001-417  
 excluding some later  
 numbers



Issue 3 July 1983  
 serial numbers 418 -  
 plus some earlier numbers

## A & R CAMBRIDGE

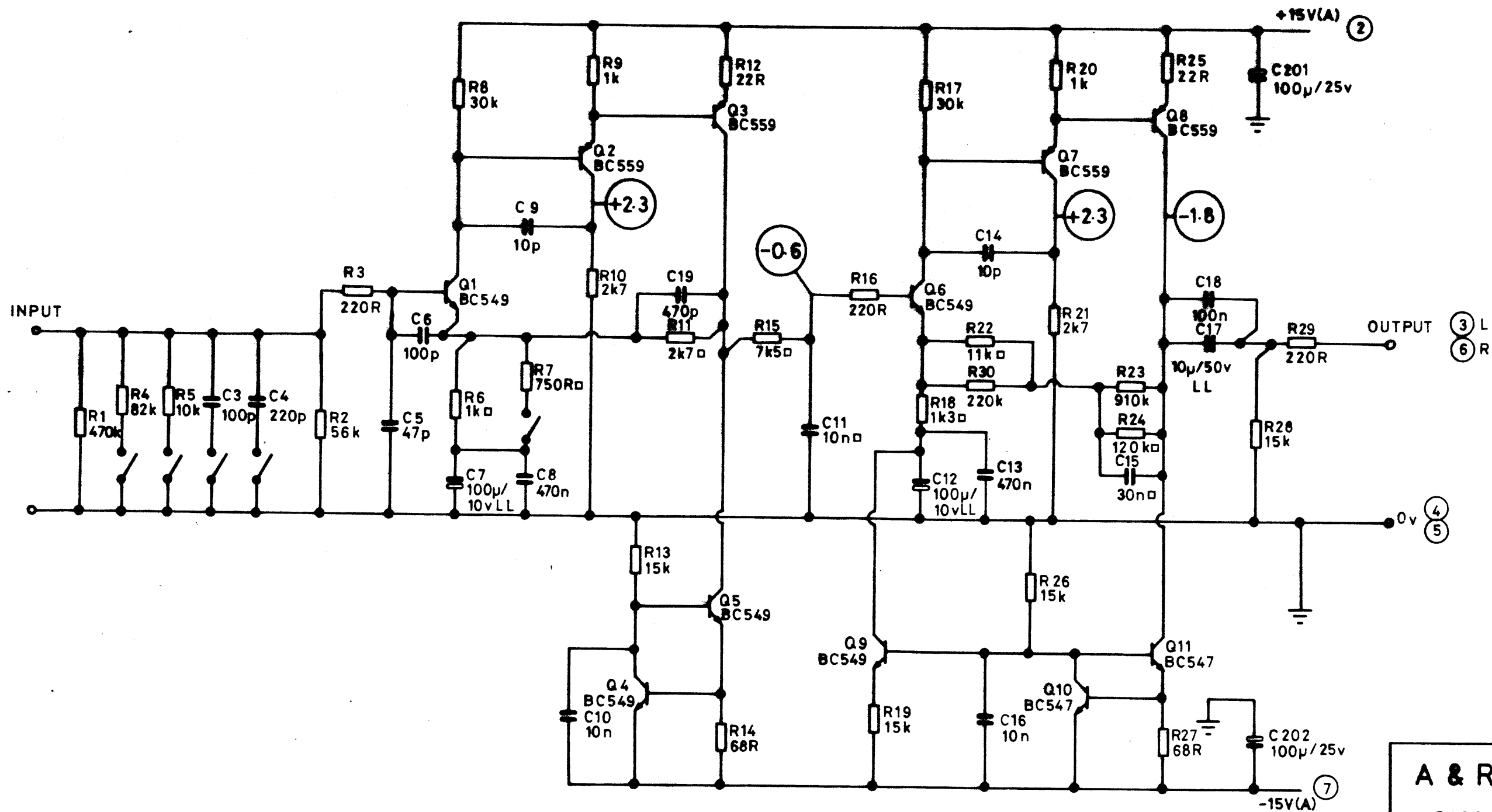
### C200 CONTROL UNIT

C200/MC1 CIRCUIT DIAGRAM  
 MOVING COIL CARTRIDGE  
 PREAMPLIFIER

□ 1% tolerance components  
 Left hand channel only shown  
 unless otherwise stated. For  
 right hand channel component  
 reference numbers add 100.

A.C.H.





A & R CAMBRIDGE LTD

C200 CONTROL UNIT

C200/MM1 CIRCUIT DIAGRAM  
MOVING MAGNET CARTRIDGE  
PREAMPLIFIER

□ 1% tolerance components  
Left hand channel only shown  
unless otherwise stated. For  
right hand channel component  
reference numbers add 100.

A.C.H.

Issue 2 July 1983  
serial numbers 606 -  
plus some earlier numbers